



## LLE103000

**LLE Series Liquid Level Sensor with Polysulphone housing; Enhanced; Type 3; -25°C to 80°C; 250 mm lead wires; Nitrile rubber 'O' ring;**

*Representative photograph, actual product appearance may vary.*

*Due to regional agency approval requirements, some products may not be available in your area. Please contact your regional Honeywell office regarding your product of choice.*

### Features

- Solid state reliability - no moving parts
- Miniature size
- Microprocessor compatible
- Very large choice of sensing media
- Fast response
- Cost effective
- Polysulphone sensor housing suitable for hygiene applications
- Options available for internal or external mounting

### Typical Applications

- Automotive on board
- Home appliances
- Food and beverage processing
- Compressors
- Machine tools
- Vending machines

### Description

The LLE series of enhanced liquid level sensor uses a photo-transistor trigger which provides a digital output that denotes the presence or absence of liquid. This series incorporates reverse polarity, over voltage, short circuit and transient protection.



## LLE103000

**LLE Series Liquid Level Sensor with Polysulphone housing; Enhanced; Type 3; -25°C to 80°C; 250 mm lead wires; Nitrile rubber 'O' ring;**

Product Specifications	
Sensor Type	Enhanced Sensor
Operating Temperature Range	-25 °C to 80 °C [-13 °F to 176 °F]
Storage Temperature Range	-30 °C to 85 °C [-22 °F to 185 °F]
Housing Material	Polysulphone
Housing Type	Type 3
Supply Voltage	5.0 Vdc to 12.0 Vdc
Output Type	High in air
Application Type	Variable

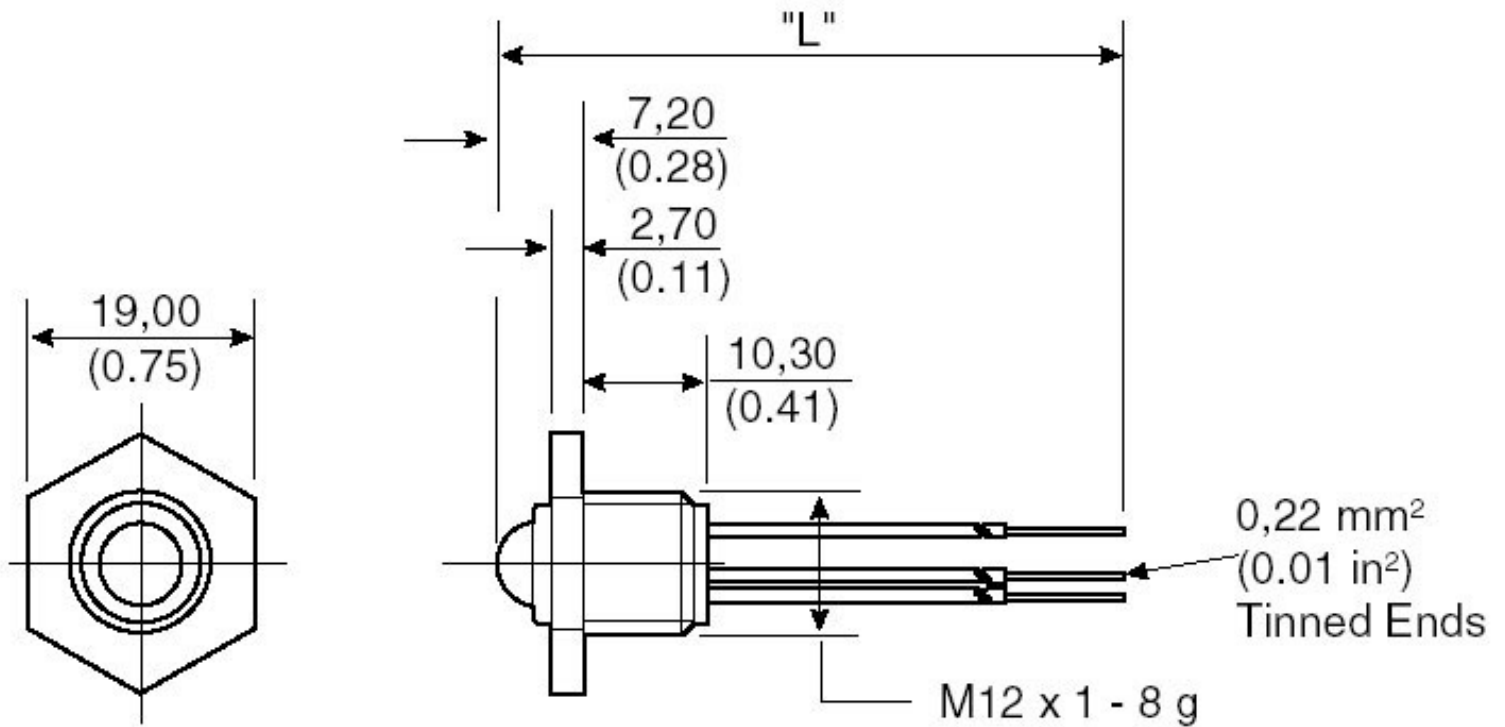
<b>Termination Type</b>	250 mm lead wires
<b>Seal Washer</b>	Nitrile rubber
<b>Stainless-Steel Nut</b>	No
<b>Dome Dimension</b>	3,5 mm radius
<b>Thread Dimension</b>	M12 x 1 x 8g
<b>Hex Dimension</b>	19 mm [0.75 in]
<b>Pressure Range</b>	0 to 5 bar
<b>Supply Current</b>	15 mA nom.
<b>Output Sink Current</b>	10 mA max. @ 25 °C
<b>Repeatability</b>	1 mm [0.04 in]
<b>Hysteresis (dependant on liquid)</b>	2 mm [0.08 in]
<b>Response Time - Rising Liquid</b>	50 µs
<b>Response Time - Falling Liquid</b>	1 s max. (in ethanol)
<b>Availability</b>	Global
<b>Accessories</b>	41001458001W
<b>Comment</b>	Enhanced device incorporating circuit protection.
<b>UNSPSC Code</b>	411121
<b>UNSPSC Commodity</b>	411121 Transducers
<b>Series Name</b>	LLE Series

# Honeywell

## LLE103000

LLE Series Liquid Level Sensor with Polysulphone housing; Enhanced; Type 3; -25°C to 80°C; 250 mm lead wires; Nitrile rubber 'O' ring;

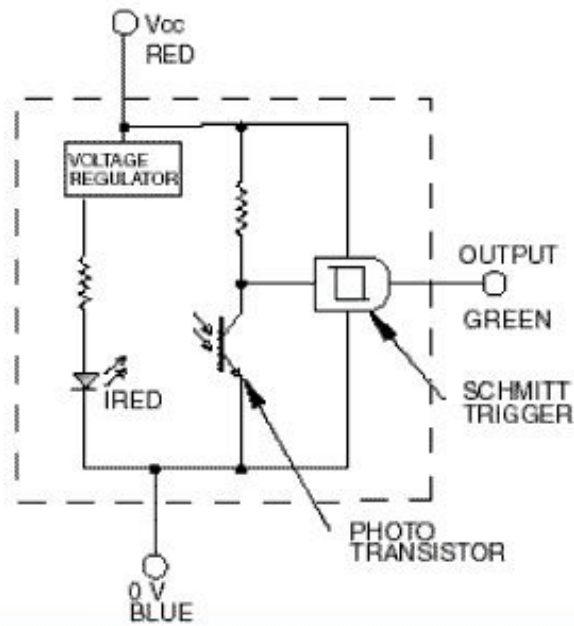
# LLE103000 (Type 3)



**Honeywell**

## LLE103000

LLE Series Liquid Level Sensor with Polysulphone housing; Enhanced; Type 3; -25°C to 80°C; 250 mm lead wires; Nitrile rubber 'O' ring;



# Honeywell

## LLE103000

LLE Series Liquid Level Sensor with Polysulphone housing; Enhanced; Type 3; -25°C to 80°C; 250 mm lead wires; Nitrile rubber 'O' ring;

### **WARNING**

#### **PERSONAL INJURY**

DO NOT USE these products as safety or emergency stop devices, or in any other application where failure of the product could result in personal injury.

**Failure to comply with these instructions could result in death or serious injury.**

### **WARNING**

#### **MISUSE OF DOCUMENTATION**

- The information presented in this product sheet (or catalog) is for reference only. DO NOT USE this document as product installation information.
- Complete installation, operation and maintenance information is provided in the instructions supplied with each product.

**Failure to comply with these instructions could result in death or serious injury.**