

LED BR30 Series



GlacialTech has unique products in **BR30** series **LED bulbs**. It uses high power LED including **6 W & 9 W** LED light source series products. It can replace traditional BR halogen lamp with excellent features like long lifetime (min. 20,000 hrs), high luminous efficacy and reduces environmental pollution. The bulbs can use standard E26/E27 socket to conveniently replaces traditional light source and suitable for use 100-240V AC. The bulbs are used for spotlight, accent light and local lighting.

➤ Features

- For indoor use only
- Direct replacement for any halogen bulbs and CFL
- Power factor > 0.9 for 115V AC; Power factor > 0.8 for 230V AC

- High power driver efficiency > 80%
- High luminous efficacy LED
- NO UV or IR radiation
- Meet safety standards: EN60968, EN61347-1+EN61347-2-13, EN55015+EN61000-3-2 class C , EN60825-1, FCC Part 18, UL1993

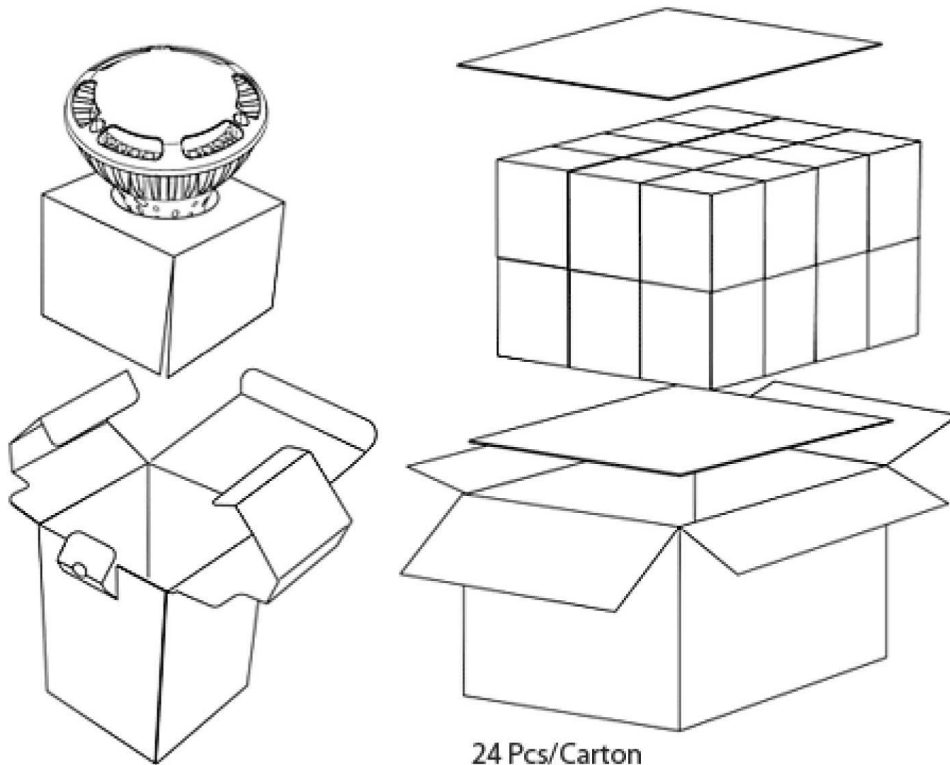
- Cool light prevents heat buildup and associated heat degeneration
- Energy saving and environment friendly



➤ Specifications

Model No.	9E-B306B	9E-B306A	9E-B309B	9E-B309A
CCT (Typical)	3000 K	6000 K	3000 K	6000 K
Typical Power Consumption	7.2 W		10.4 W	
Luminous Flux (lm)	270 lm	360 lm	400 lm	540 lm
Input Voltage	100-240V AC			
Socket Base	E26 / E27			
Operation Temp. Range	-20°C ~ +40°C			
Typical Luminous Efficacy	38 lm/W	50 lm/W	39 lm/W	52 lm/W
CRI	> 80	> 75	> 80	> 75
Beam Angle	120°/ 60° (Optional) / 30° (Optional)			
Warranty	3 Years			
Applications	Architectural Lighting/ Cabinet Lighting/ Commercial Lighting/ Landscape Lighting/ Spot Lighting/ Accent Lighting/ Hallway Lighting			
Outline Dim.	Ψ 98*125 (mm)			
Net. Weight	0.25 (Kgs)			
Package	24 Boxes / Carton			
Box Dimension/ Weight	L=116*115*156 (mm) / 0.35 (Kgs)			

➤ Package



Dimensions: 116*115*156(H) mm

24 Pcs/Carton

Dimensions: 486*366*360(H) mm

➤ Energy Saving & CO₂ Reduction Comparison Table

Item	9E-B309A (6000 K)	CFL	Halogen Bulbs
Life Time	20,000 hrs	6,000 hrs	3,000 hrs
Typical Power Consumption (=A)	10.4 W	23 W	60 W
Typical Power Consumption per year (12hrx365day/KWh)*A=B	45.55 KW	100.74 KW	262.8 KW
CO ₂ Quantity (Kgs/year) (0.637*B=D)	30 Kgs	65 Kgs	170 Kgs
Energy Saving Rate (Compare with CFL)	55%		
Energy Saving Rate (Compare with Halogen Bulbs)	83%		



CO₂ calculation reference IPCC guide=0.637 CO₂/KWh (Taiwan)