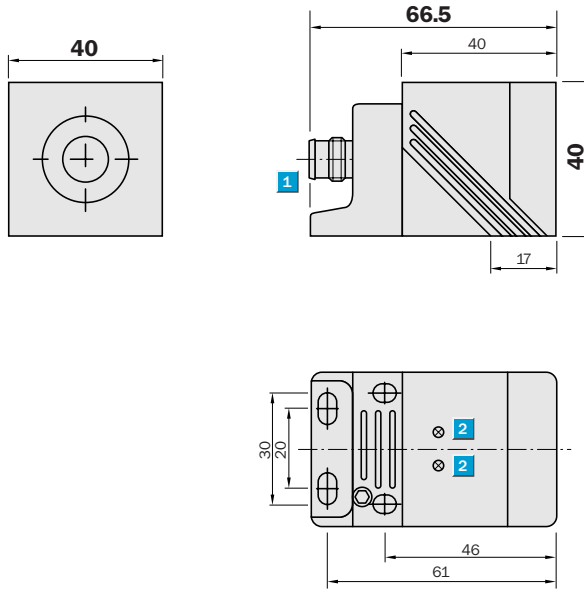


Sensing range
20 / 35 mm

Inductive sensor

- Variable switching zone
- Complementary output function
- Short-circuit protection (pulsed)
- Enclosure rating IP 67
- LED status-and function indicator

Dimensional drawing

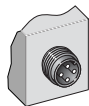


- 1 Connection
- 2 Display LED

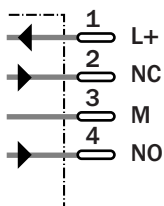


Connection type

- IQ40-20BPP-KCK
- IQ40-35NPP-KCK



M12, 4-pin



Accessories

Connector, M12, 4-pin

Technical specifications		IQ40-	20BPP -KCK	35NPP -KCK								
Sensing range S_n	20 mm											
	35 mm											
Electrical configuration	DC 4-wire											
Supply voltage V_s	DC 10 ... 36 V											
Voltage drop U_d	$\leq 2.5 V^{1)}$											
Power consumption	$\leq 15 mA^{2)}$											
Continuous current I_a	$\leq 250 mA$											
Time delay before availability t_v	$\leq 4 ms$											
Hysteresis H, of s_r	1 ... 15 %											
Repeatability R	$\leq 10 \% (U_b \text{ and } T_a \text{ constant})^{3)}$											
Temperature drift, of s_r	$\pm 10 \%$											
EMC	According to EN 60947-5-2											
Switching output	PNP											
Output function	Complementary											
Installation	Flush											
	Non-flush											
Connection type	Connector, M12, 4-pin											
Enclosure rating	IP 67 ⁴⁾											
VDE protection class	<input type="checkbox"/>											
Max. switching frequency	100 Hz											
Dimensions	40 x 40 x 66.5 mm ⁵⁾											
Short-circuit protection	<input checked="" type="checkbox"/> ⁶⁾											
Reverse polarity protection	<input checked="" type="checkbox"/>											
Power-up pulse suppression	<input checked="" type="checkbox"/>											
Shock/vibration stress	30 g, 11 ms/10 ... 55 Hz, 1 mm											
Ambient temperature T_a	-25 °C ... +70 °C											
Housing material	Plastic											

¹⁾ at I_a max and U_b 24 V
²⁾ without load

³⁾ of s_r
⁴⁾ according to EN 60529

⁵⁾ Width x height x depth
⁶⁾ (pulsed)

Ordering information	
Type	Order No.
IQ40-20BPP-KCK	6 012 014
IQ40-35NPP-KCK	6 012 015