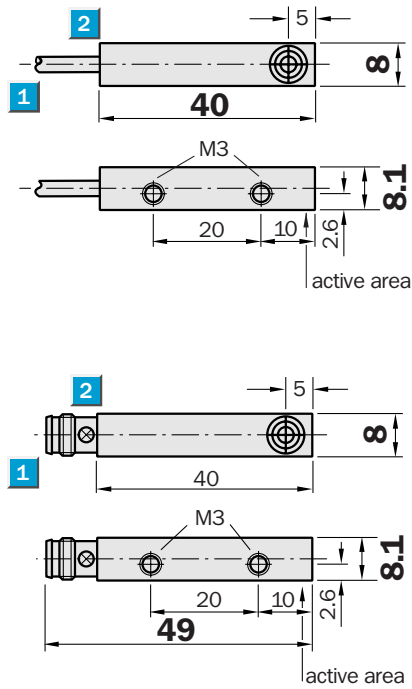


**Sensing range**  
2 / 4 mm

Inductive sensor

- Can be installed flush or non-flush in metal
- High switching frequency
- Short-circuit protection (pulsed)
- Small plastic housing
- Enclosure rating IP 67

Dimensional drawing



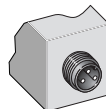
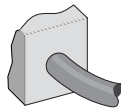
- 1 Connection
- 2 Display LED



Connection type

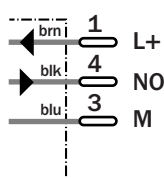
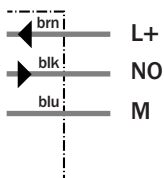
- IQ08-02BNS-KUO
- IQ08-02BPS-KUO
- IQ08-04NPS-KUO

- IQ08-02BNS-KTO
- IQ08-02BPS-KTO
- IQ08-04NPS-KTO



3 x 0.25 mm<sup>2</sup>

M8, 3-pin



See chapter Accessories

Connector, M8, 3-pin

Technical data		IQ08-	02BNS -KU0	02BPS -KU0	02BNS -KTO	02BPS -KTO	04NPS -KU0	04NPS -KTO				
<b>Sensing range S<sub>n</sub></b>	4 mm											
	2 mm											
<b>Electrical configuration</b>	DC 3-wire											
<b>Supply voltage V<sub>s</sub></b>	DC 10 ... 30 V											
Ripple V <sub>pp</sub>	≤ 10 % <sup>1)</sup>											
Voltage drop V <sub>d</sub>	≤ 1.5 V <sup>2)</sup>											
Current consumption	≤ 10 mA <sup>3)</sup>											
<b>Continuous current I<sub>a</sub></b>	≤ 300 mA											
Time delay before availability t <sub>v</sub>	≤ 2 ms											
Hysteresis H (of s <sub>r</sub> )	1 ... 10 %											
Repeatability R	≤ 1 % (U <sub>b</sub> and T <sub>a</sub> constant) <sup>4)</sup>											
Temperature drift, of s <sub>r</sub>	± 10 %											
EMC	According to EN 60 947-5-2											
<b>Switching output</b>	PNP											
	NPN											
<b>Output function</b>	Normally open											
<b>Installation</b>	Non-flush											
	Flush											
<b>Connection types</b>	Plug, M8, 3-pin											
	Cable, PVC/PUR, 2 m											
Enclosure rating	IP 67 <sup>5)</sup>											
Max. switching frequency	5,000 Hz											
Dimensions	8 x 8 x 49 mm <sup>6)</sup>											
	8 x 8 x 40 mm <sup>6)</sup>											
<b>Wire-break protection</b>	✓											
<b>Short-circuit protection</b>	✓ <sup>7)</sup>											
<b>Reverse polarity protection</b>	✓											
<b>Power-up pulse suppression</b>	✓											
Shock / vibration stress	30 g, 11 ms / 10 ... 55 Hz, 1 mm											
Ambient temperature T <sub>a</sub>	-25 °C ... +75 °C											
Housing material	Plastic											

<sup>1)</sup> of U<sub>b</sub>  
<sup>2)</sup> at I<sub>a</sub> = 200mA

<sup>3)</sup> without load  
<sup>4)</sup> of s<sub>r</sub>

<sup>5)</sup> according to EN 60 529  
<sup>6)</sup> width x height x depth

<sup>7)</sup> (pulsed)

Order information	
Type	Order no.
IQ08-02BNS-KU0	7 900 196
IQ08-02BPS-KU0	7 900 195
IQ08-02BNS-KTO	7 900 198
IQ08-02BPS-KTO	7 900 197
IQ08-04NPS-KU0	7 900 199
IQ08-04NPS-KTO	7 900 201