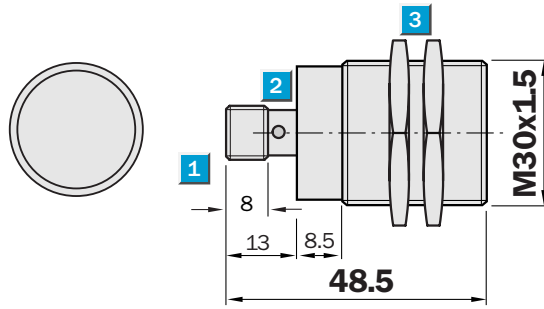
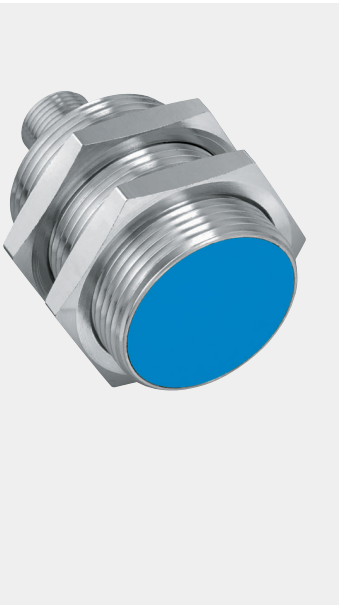
	Sensing range
	22 mm
Inductive sensor	

- Triple sensing range
- Installation quasi flush in metal
- Short-circuit protection (pulsed)
- Robust brass housing, chrome-plated with fine thread M30 x 1 mm
- Enclosure rating IP 67

Dimensional drawing

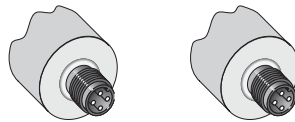


- 1** Connection
- 2** Display LED
- 3** Fastening nuts (2 x); width across 36, metal

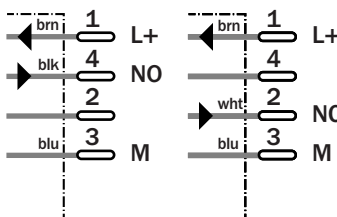


Connection type

IM30-22BPS-ZCK	IM30-22BPO-ZCK
----------------	----------------



M12, 4-pin	M12, 4-pin
------------	------------



Accessories
Connector, M12, 4-pin
Mounting systems

Technical specifications		IM30-	22BPO-ZCK	22BPS-ZCK									
Sensing range S_n	22 mm												
Electrical configuration	DC 3-wire												
Supply voltage V_s	DC 10 ... 30 V												
Ripple U_{pp}	$\leq 20\%$ ¹⁾												
Voltage drop U_d	$\leq 2\text{ V}$ ²⁾												
Current consumption	$\leq 10\text{ mA}$ ³⁾												
Continuous current I_a	$\leq 200\text{ mA}$												
Time delay before availability t_v	$\leq 100\text{ ms}$												
Hysteresis H, of s_r	1 ... 15 %												
Repeatability R	$\leq 5\%$ (U_b and T_a constant) ⁴⁾												
Temperature drift, of s_r	$\pm 10\%$												
EMC	According to EN 60947-5-2												
Switching output	PNP												
Output function	Normally closed ⁵⁾												
	Normally open ⁵⁾												
Installation	Quasi-flush ⁶⁾												
Connection type	Connector, M12, 4-pin												
Enclosure rating	IP 67 ⁷⁾												
Max. switching frequency	200 Hz												
Dimensions	M30 x 1.5 ⁸⁾												
Short-circuit protection	\checkmark ⁹⁾												
Reverse polarity protection	\checkmark												
Power-up pulse suppression	\checkmark												
Shock/vibration stress	30 g, 11 ms/10 ... 55 Hz, 1 mm												
Ambient temperature T_a	-25 °C ... +70 °C												
Housing material	Brass, chrome-plated, plastic												
Tightening torque	60 Nm												

¹⁾ of U_b
²⁾ at I_a max
³⁾ without load

⁴⁾ of s_r
⁵⁾ Other output functions available on request.

⁶⁾ When mounting in conductible materials the sensors must be installed with a distance A to the surface. A Steel,

metal = 6 mm/A Stainless steel = 2 mm
⁷⁾ According to EN 60529
⁸⁾ Thread diameter x pitch (mm)
⁹⁾ (pulsed)

Ordering information	
Type	Order No.
IM30-22BPO-ZCK	6 025 568
IM30-22BPS-ZCK	6 025 566