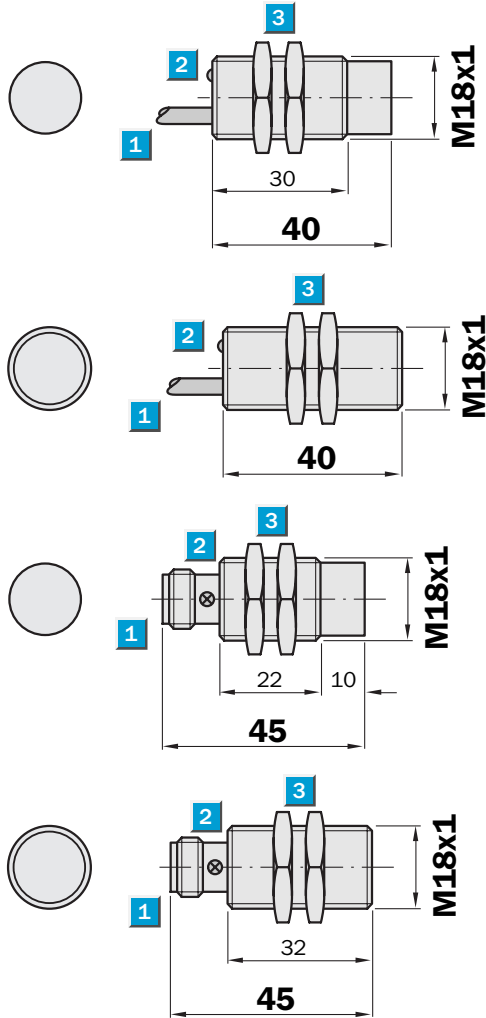


Sensing range
5 / 8 mm

Inductive sensor

- Short-circuit protection (pulsed)
- Robust brass housing, nickel-plated with fine thread M18 x 1 mm
- Enclosure rating IP 67
- High switching frequency

Dimensional drawing

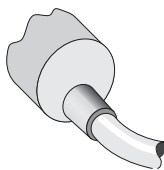


- 1 Connection
- 2 Display LED
- 3 Fastening nuts (2 x); width across 24, metal

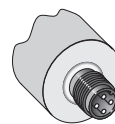
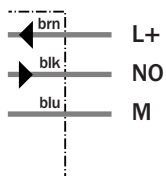


Connection type

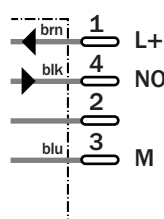
IM18-05BNS-ZUK	IM18-05BNS-ZCK
IM18-05BPS-ZUK	IM18-05BPS-ZCK
IM18-08NNS-ZUK	IM18-08NNS-ZCK
IM18-08NPS-ZUK	IM18-08NPS-ZCK



3 x 0.25 mm²



M12, 4-pin



See chapter Accessories

Connector, M12, 4-pin
Mounting systems

Technical specifications		IM18-	05BNS-ZUK	05BPS-ZUK	05BNS-ZCK	05BPS-ZCK	08NNS-ZUK	08NPS-ZUK	08NNS-ZCK	08NPS-ZCK		
Sensing range S_n	5 mm											
	8 mm											
Electrical configuration	DC 3-wire											
Supply voltage V_s	DC 10 ... 30 V											
Ripple U_{pp}	$\leq 10 \%$											
Voltage drop U_d	$\leq 1.5 V^{1)}$											
Power consumption	$\leq 10 mA^{2)}$											
Continuous current I_a	$\leq 300 mA$											
Time delay before availability t_v	$\leq 10 ms$											
Hysteresis H, of s_r	1 ... 10 %											
Repeatability R	$\leq 2 \%$ (U_b and T_a constant) ³⁾											
Temperature drift, of s_r	$\pm 10 \%$											
EMC	According to EN 60947-5-2											
Switching output	NPN											
	PNP											
Output function	Normally open											
Installation	Flush											
	Non-flush											
Connection type	Cable, PUR-PVC, 2 m											
	Connector, M12, 4-pin											
Enclosure rating	IP 67 ⁴⁾											
Max. switching frequency	1,000 Hz											
Dimensions	M18 x 1 ⁵⁾											
Wire-break protection	✓											
Short-circuit protection	✓ ⁶⁾											
Reverse polarity protection	✓											
Power-up pulse suppression	✓											
Shock/vibration stress	30 g, 11 ms/10 ... 55 Hz, 1 mm											
Ambient temperature T_a	-25 °C ... +75 °C											
Housing material	Brass nickel-plated, plastic											
Tightening torque	25 Nm											

¹⁾ at I_a max
²⁾ without load

³⁾ of s_r
⁴⁾ according to EN 60529

⁵⁾ Thread diameter x pitch (mm)
⁶⁾ (pulsed)

Order information

Type	Order no.
IM18-05BNS-ZUK	1 017 442
IM18-05BPS-ZUK	1 017 430
IM18-05BNS-ZCK	1 017 444
IM18-05BPS-ZCK	1 017 432
IM18-08NNS-ZUK	1 017 443
IM18-08NPS-ZUK	1 017 431
IM18-08NNS-ZCK	1 017 445
IM18-08NPS-ZCK	1 017 433